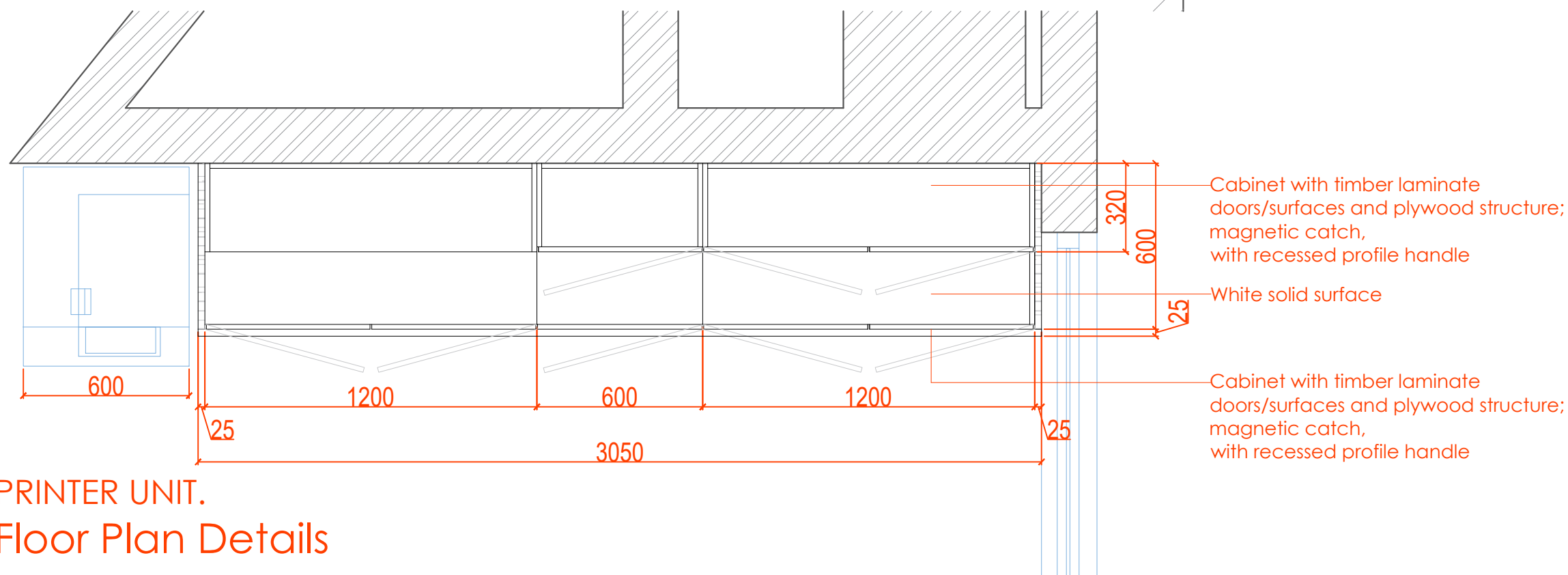
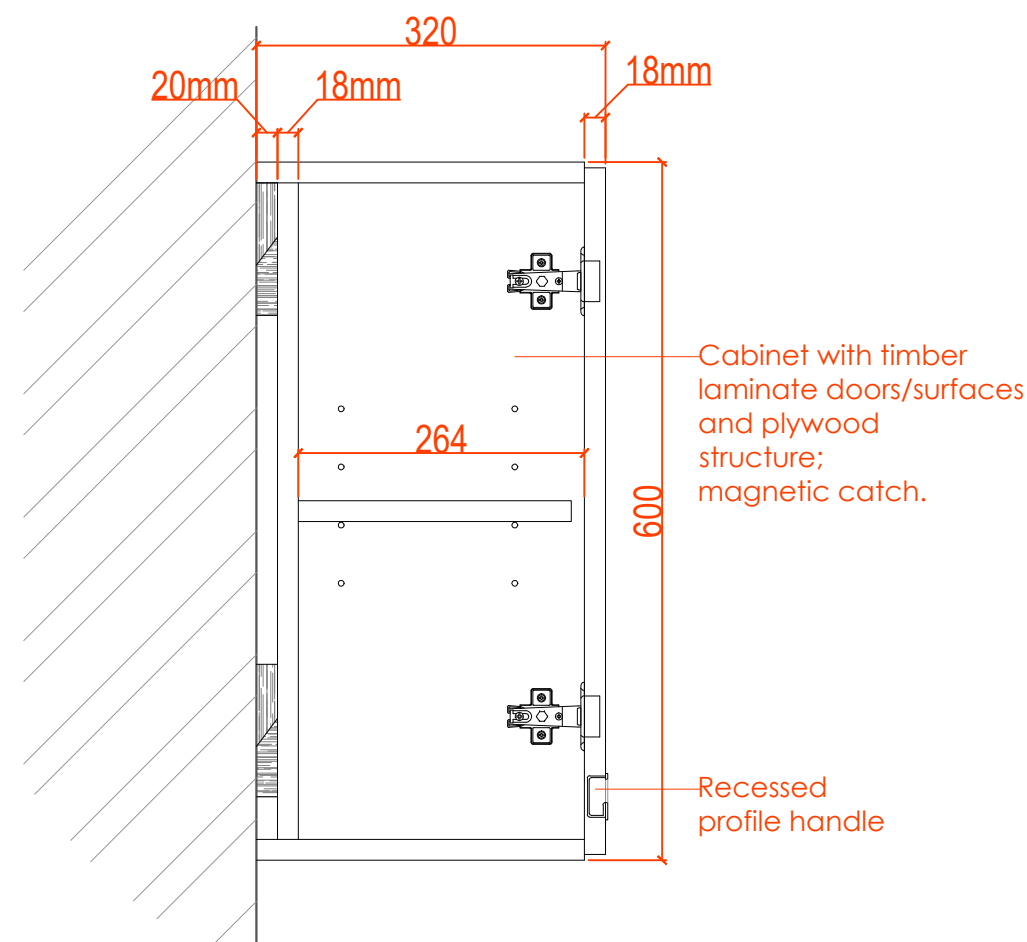


Printer Storage (3rd-13th Floor) (excluding Appliances)

Base cabinet with white solid laminate worktop -PU finish, and Wall cabinet, Wall shelf in laminate finish and stainless steel skirting.

ITEM 18 ON THE LIST
QTY 14

FINISHING CODE SW287



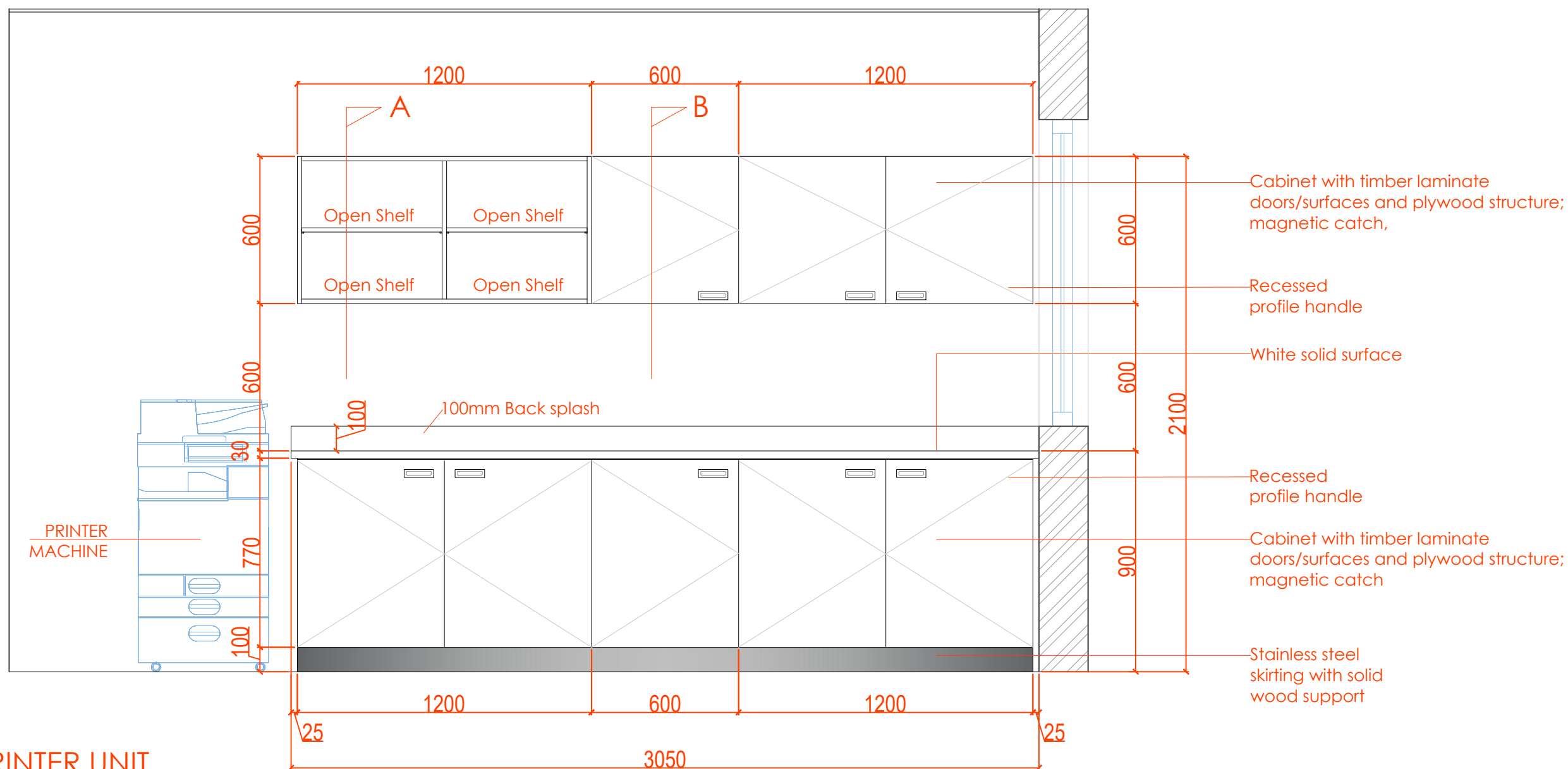
PRINTER UNIT.
Floor Plan Details

FOR APPROVAL

Project No. : --
Scale : N/A
Drawn by : OBJ
Checked : OBJ
Cad File : CAD_FILE

Sheet title
Printer Storage Unit
Floor Plan and Side Details

Dwg No.	No.
WS-DS-SD-SH-018	SHEET 1



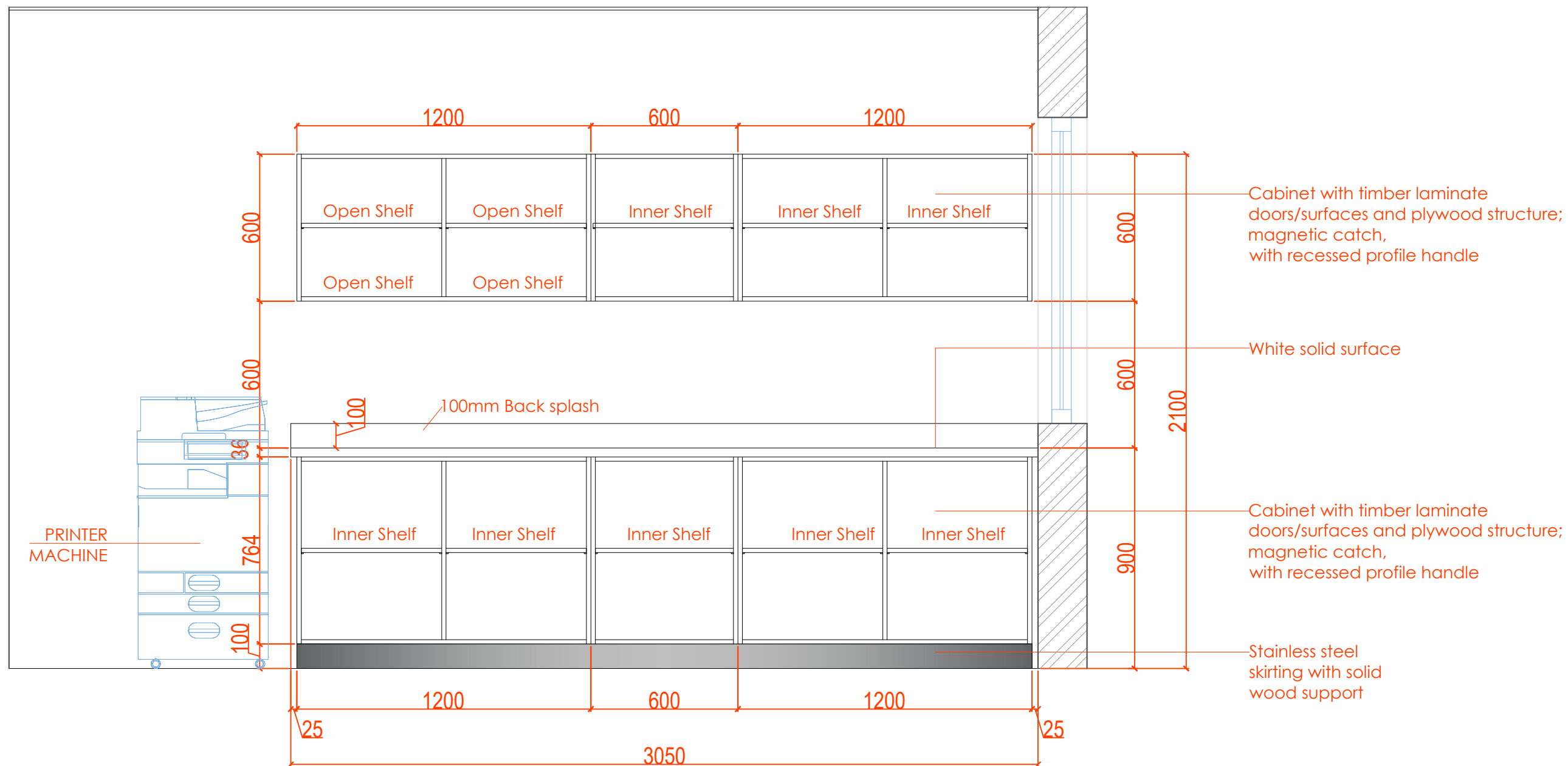
PRINTER UNIT.
FRONT ELEV. WITH DOOR Details

FOR APPROVAL

Project No. : ---
Scale : N/A
Drawn by : OBJ
Checked : OBJ
Cad File : CAD_FILE

Sheet title
**Printer Storage Unit
FRONT ELEV. WITH DOOR Details**

Dwg No. WS-DS-SD-SH-018	No. SHEET 3
----------------------------	----------------



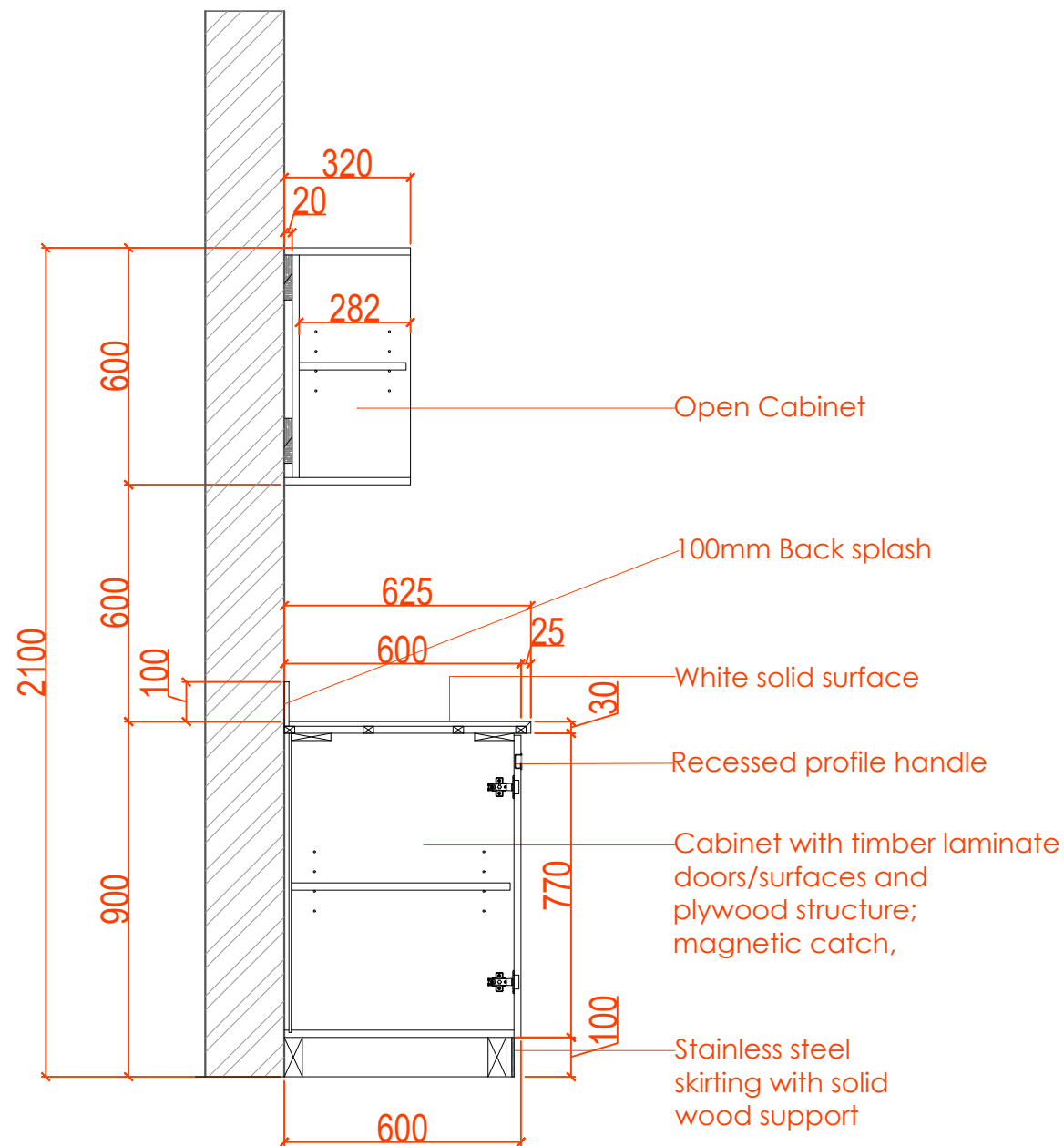
PRINTER UNIT.
INNER VIEW Details

FOR APPROVAL

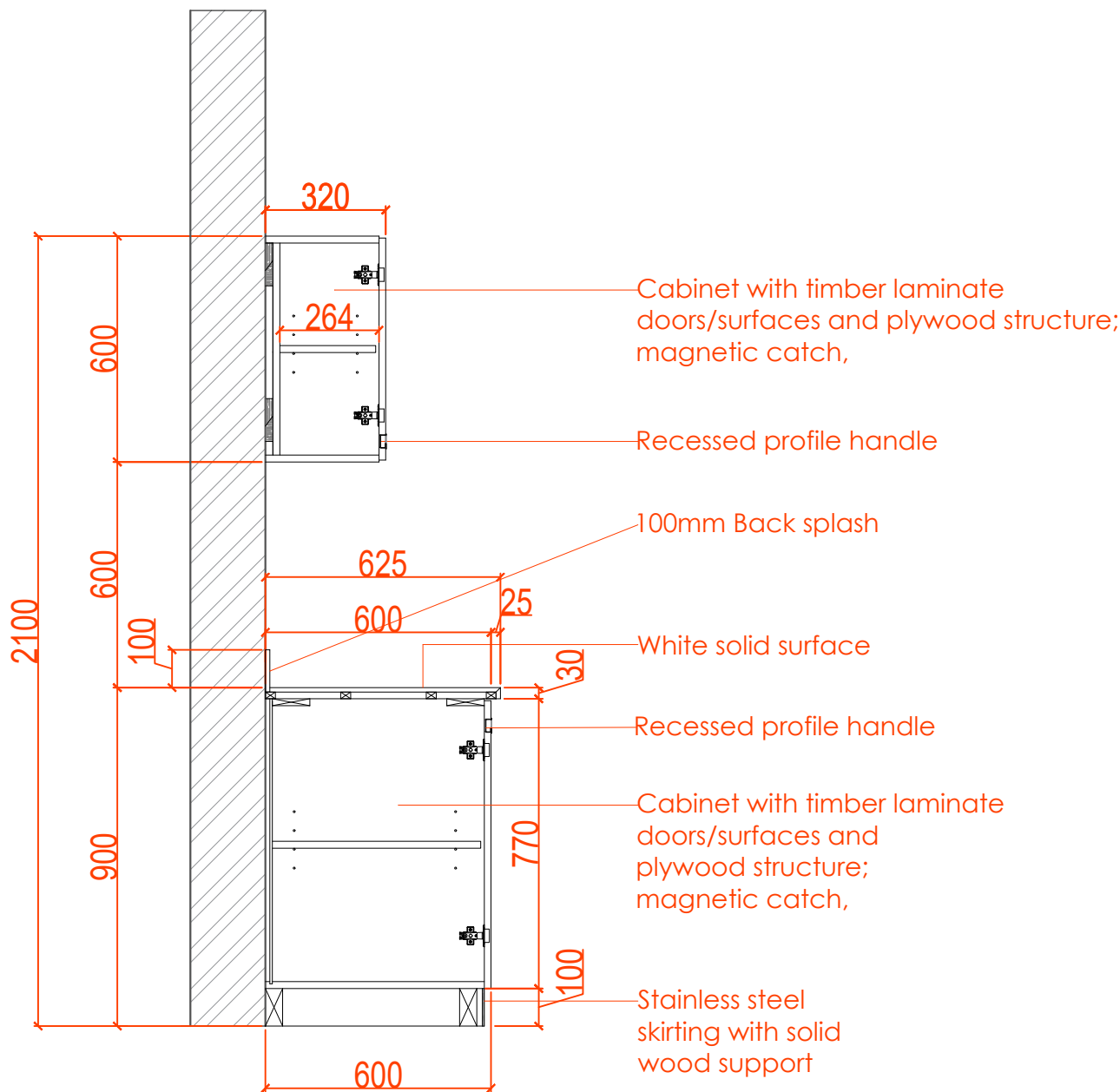
Project No. : ---
Scale : N/A
Drawn by : OBJ
Checked : OBJ
Cad File : CAD_FILE

Sheet title
Printer Storage Unit
INNER VIEW Details

Dwg No.	No.
WS-DS-SD-SH-018	SHEET 2



PRINTER UNIT.
SECTIONAL Details-A



PRINTER UNIT.
SECTIONAL Details-B

FOR APPROVAL

Project No. : --
Scale : N/A
Drawn by : OBJ
Checked : OBJ
Cad File : CAD_FILE

Sheet title
Printer Storage Unit
SECTIONAL Details A and B

Dwg No. WS-DS-SD-SH-018	No. SHEET 4
----------------------------	----------------